

EV STAR CARGO

A Purpose-Built Cargo Van
Multi-Utility • Zero-Emissions Vehicle



PURPOSE BUILT



RANGE
153 MILES



BATTERY SIZE
118 KWH



CHARGING
J1772, 11KW AC
CCS-1, 61 KW DCFC
WIRELESS (61 KW)



PAYLOAD CAPACITY
UP TO 5,550 LBS

CARGO CALUME CAPACITY
UP TO 566 CUBIC FEET

OPTION 1

22.5 FEET

OPTION 2

25 FEET



USA 909-308-0960
CANADA 604-563-4144
GREENPOWERMOTOR.COM
SALES@GREENPOWERMOTOR.COM

TECHNICAL DATA

CLASSIFICATION

Heavy-duty class 4

GVWR

14,330 lbs.

PAYLOAD CAPACITY*

5,500 lbs

CARGO VOLUME CAPACITY

494 (22.5'), 566 CUBIC FEET(25')

LENGTH *

22.5 (option), 25 feet 5

WIDTH

79.5 inches 2

HEIGHT *

103 inches, 118.25 inches 1

WHEELBASE

170 inches 6

MAX SEATING CAPACITY

2 CABIN SEATS 4

CARGO CAPACITY DIMENSION (22.5')

494 cubic feet (165x70x74 inches, interior) 5

CARGO CAPACITY DIMENSION

566 cubic feet (189x70x74 inches, interior)

TIRES

205 / 75R / 17.5 (qty.6)

EMERGENCY EXITS

Window, door

CARGO DOOR OPENING

Side: 51 inches, Rear: 65 inches 3

FRAME / BODY / ROOF

Steel

HVAC

Front, rear, electrical

ECU COMMUNICATION

CAN BUS, J1939

DESIGN LIFE

10 years

CLEAN AIR DECAL * †

Class 3 (access carpool & toll lanes)

CARB CERTIFIED

BUY AMERICA*



BATTERY CHEMISTRY

LiFePo4

VOLTAGE

576 V

BATTERY CAPACITY

118 kWh

RANGE *

153 miles

FUEL ECONOMY *

48 mpge, 0.77 kWh/mi, 1.3 mi/kWh

TOP SPEED

68 mph

MOTOR POWER

150 kW max

TRANSMISSION

Direct Drive, No Transmission

ALTOONA CERTIFIED

EV Star Min-E Bus

LCFS EER VALUE * †

MDV, 3.4 EER (class 3), 1 credit every 1215 kWh

LCFS EER VALUE * †

HDV, 5.0 EER (class 4), 1 credit every 740 kWh

AUTONOMOUS INTEGRATION *

Perrone Robotics (option)

CHARGING * (AC/DC)

LEVEL-2, J1772

11 kW, 11 hrs

DCFC, CCS-1

61 kW, 2 hrs

WIRELESS DC * (option)

61 kW, 2 hrs

VEHICLE VOUCHER REBATES *

Email: grants@greenpowermotor.com

HVIP BASE VOUCHER †

\$45K (class 3), \$60k (class 4), DAC +15%

VW MITIGATION *

75% COST

NYTVIP *

\$100K

CARL MOYER †

80% Incremental cost

NEW JERSEY

\$75K-\$100K

BC CANADA SUVIP

\$66K

† California region only

* Specification can vary by region, application, availability

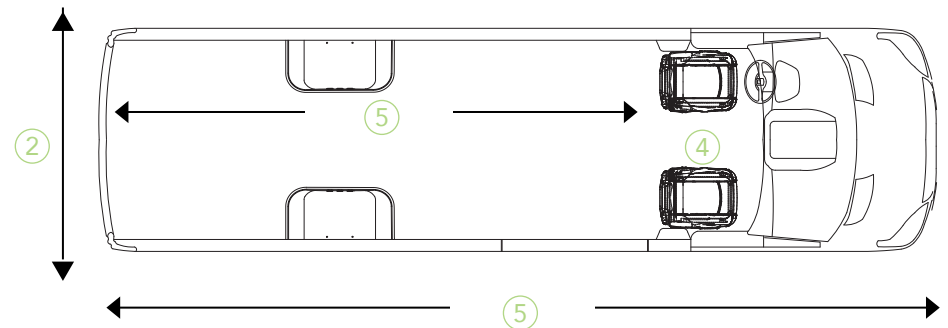
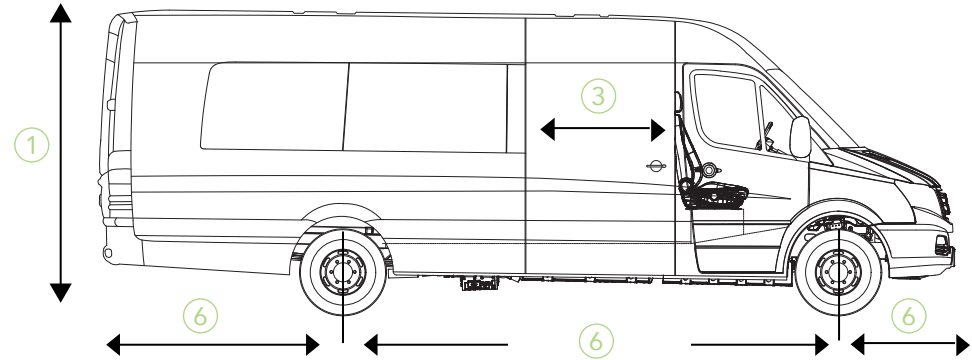
LAYOUT DIMENSIONS

① Height

Exterior 103 in.
Interior 74 in.

② Width

Exterior 79.5 in.
Interior 70 in.
W/ Mirrors 95.4 in.



⑤ Length:

Exterior 271.5 in.
Interior 165 in.
(behind driver to rear).

⑥ Wheelbase:

Wheelbase 170.2 in.
Rear overhang: 61.4 in.
Front overhang: 39.9 in.

IMAGES

22.5 Foot is illustrated above